

FOUNDATION FOR INTELLIGENT PHYSICAL AGENTS

FIPA Request When Interaction Protocol Specification

Document title	FIPA Request When Interaction Protocol Specification		
Document number	XC00028F	Document source	FIPA TC C
Document status	Experimental	Date of this status	2001/08/10
Supersedes	None		
Contact	fab@fipa.org		
Change history			
2001/01/29	Approved for Experimental		
2001/08/10	Line numbering added		

© 2000 Foundation for Intelligent Physical Agents - <http://www.fipa.org/>

Geneva, Switzerland

Notice

Use of the technologies described in this specification may infringe patents, copyrights or other intellectual property rights of FIPA Members and non-members. Nothing in this specification should be construed as granting permission to use any of the technologies described. Anyone planning to make use of technology covered by the intellectual property rights of others should first obtain permission from the holder(s) of the rights. FIPA strongly encourages anyone implementing any part of this specification to determine first whether part(s) sought to be implemented are covered by the intellectual property of others, and, if so, to obtain appropriate licenses or other permission from the holder(s) of such intellectual property prior to implementation. This specification is subject to change without notice. Neither FIPA nor any of its Members accept any responsibility whatsoever for damages or liability, direct or consequential, which may result from the use of this specification.

19 **Foreword**

20 The Foundation for Intelligent Physical Agents (FIPA) is an international organization that is dedicated to promoting the
21 industry of intelligent agents by openly developing specifications supporting interoperability among agents and agent-
22 based applications. This occurs through open collaboration among its member organizations, which are companies and
23 universities that are active in the field of agents. FIPA makes the results of its activities available to all interested parties
24 and intends to contribute its results to the appropriate formal standards bodies.

25 The members of FIPA are individually and collectively committed to open competition in the development of agent-
26 based applications, services and equipment. Membership in FIPA is open to any corporation and individual firm,
27 partnership, governmental body or international organization without restriction. In particular, members are not bound to
28 implement or use specific agent-based standards, recommendations and FIPA specifications by virtue of their
29 participation in FIPA.

30 The FIPA specifications are developed through direct involvement of the FIPA membership. The status of a
31 specification can be either Preliminary, Experimental, Standard, Deprecated or Obsolete. More detail about the process
32 of specification may be found in the FIPA Procedures for Technical Work. A complete overview of the FIPA
33 specifications and their current status may be found in the FIPA List of Specifications. A list of terms and abbreviations
34 used in the FIPA specifications may be found in the FIPA Glossary.

35 FIPA is a non-profit association registered in Geneva, Switzerland. As of January 2000, the 56 members of FIPA
36 represented 17 countries worldwide. Further information about FIPA as an organization, membership information, FIPA
37 specifications and upcoming meetings may be found at <http://www.fipa.org/>.

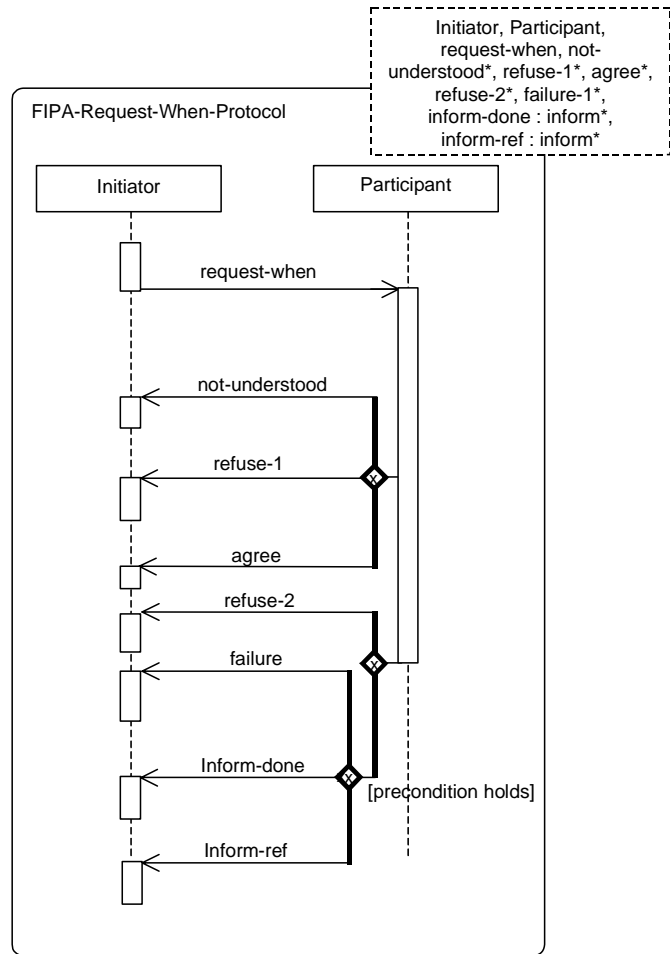
38 **Contents**

39	1	FIPA Request When Interaction Protocol	1
40	1.1	Exceptions to Interaction Protocol Flow.....	1
41	2	References.....	2
42			

42 **1 FIPA Request When Interaction Protocol**

43 The FIPA Request When Interaction Protocol (IP) provides a framework for the *request-when* communicative act (see
 44 [FIPA00037]). The initiator uses the *request-when* action to request that the participant do some action once a given
 45 precondition becomes true. If the requested agent understands the request and does not initially refuse, it will *agree*
 46 (see [FIPA00037]) and wait until the precondition occurs. Then, it will attempt to perform the action and notify the
 47 requester accordingly. If after the initial agreement the participant is no longer able to perform the action, it will send a
 48 *refuse* action (see [FIPA00037]) to the initiator.

49
 50 The representation of this IP is given in *Figure 1*.
 51



52
 53
 54 **Figure 1: FIPA Request When Interaction Protocol**
 55

56 **1.1 Exceptions to Interaction Protocol Flow**

57 This IP is a pattern for a simple interaction type. Elaboration on this pattern will almost certainly be necessary in order to
 58 specify all cases that might occur in an actual agent interaction. Real world issues of cancelling actions, asynchrony,
 59 abnormal or unexpected IP termination, nested IPs, and the like, are explicitly not addressed here.

60
 61

61 **2 References**

- 62 [FIPA00037] FIPA Communicative Act Library Specification. Foundation for Intelligent Physical Agents, 2000.
63 <http://www.fipa.org/specs/fipa00037/>